

Continuous Level Transmitter



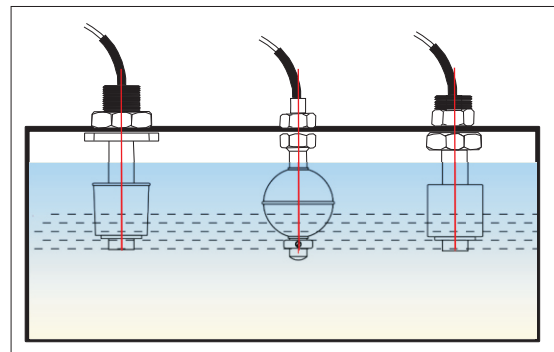
DESCRIPTION

HEMKUNT electronics top mounted Magnetic float Level transmitters are made for continuous Level measurement of liquids. Transmitter consists of array of magnetic sensors enclosed inside a sealed stem. A magnetic float traverses up and down between the operating range with the rise and fall of liquid Level. The magnetic float actuates the magnetic sensor circuitry inside the stem. The output value of array changes in corresponds to rise and fall of liquid Level, this output value of array is sensed by a transmitter circuitry which converts the signals into 4-20 mA current output proportional to the liquid Level inside tank. The transmitters are made in various lengths in SS or PP construction. Due to its easy mounting, different material of construction & reliable operation these transmitters are widely used for Level measurement of various liquids, including liquids having foam or fumes inside their storage tanks.

HEMKUNT electronics specializes in customizing designs to specific customer needs for a wide range of applications. Please feel free contact us to provide the optimal solution for your specific needs.



TYPICAL INSTALLATION INSIDE TANKS



APPLICATIONS

- # Water purifiers
- # Hydraulic power packs
- # Chemicals
- # Solvents
- # Milk
- # Lube Oil
- # Waste
- # Coolant tanks
- # OEM's
- # Diesel
- # DG sets
- # Acids
- # Alcohol
- # Beverages
- # Juices
- # Condensate
- # Water
- # Petrochemicals
- # Oil
- #And many more.

FEATURES

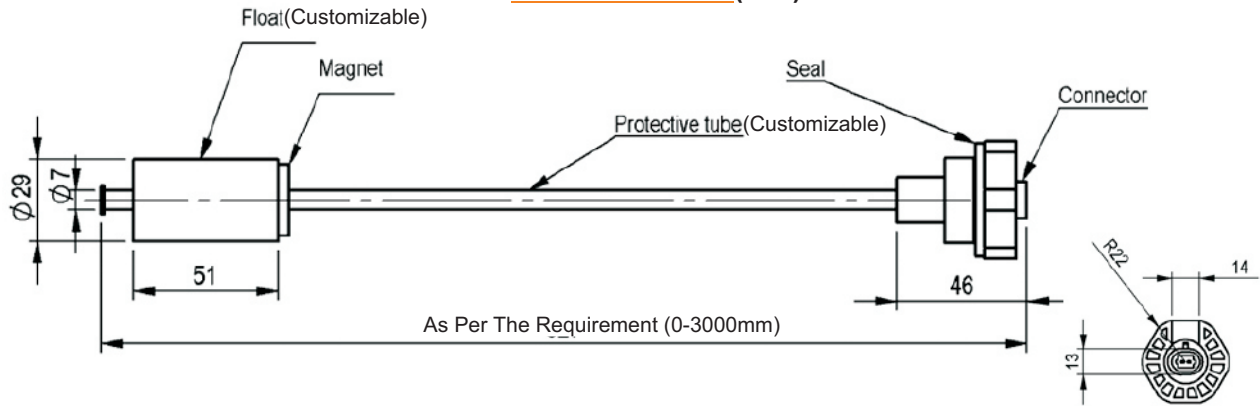
- # Ability to activate and control switching up to nine switching points.
- # Hermetically sealed.
- # Ability to work under very hot and cold temp. as normal operation.
- # Ability to withstand very toxic chemical atmosphere without any material degradation.
- # Dynamically tested contacts.
- # Reliable switching.
- # Designed to handle high shock environments.
- # Millions of reliable switching operations.

HEMKUNT ELECTRONICS

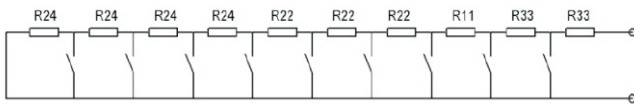
Contact Details : Website- www.hemkuntelectronics.com
 EMail- hemkuntalert@gmail.com
 Address- 4583/13 Jai Mata Market, Tri Nagar, Delhi- 110035
 Telephone numbers- 011-27394466 ,+91-9810822092, +91-8800445952

Continuous Level Transmitter

DIAMENSSIONS (mm)

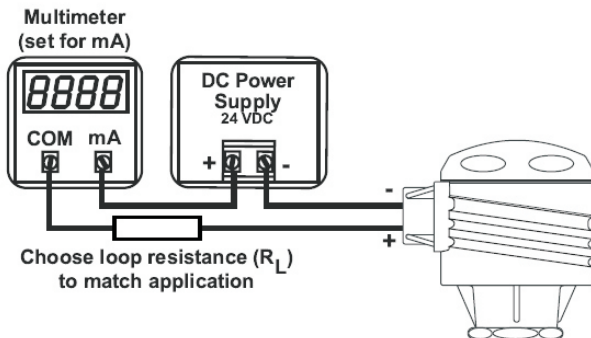


CIRCUIT DIAGRAM



Troubleshooting:

Verify proper wiring, power supply and loop resistance. If transmitter is not functioning properly, isolate the transmitter from the system and wire as shown below. Multimeter should read 4 mA with float at the bottom and 20 mA with float at the top of the transmitter.



TECHNICAL DATA

Range	: 500mm to 3000mm
Accuracy	: 0.25° over span in water
Specific gravity	: 0.75 minimum
Orientation	: ± 30° vertical
Supply voltage	: 24 VDC loop power
Loop resistance	: 600 Ohms @ 24 VDC
Signal output	: 4-20 mA, two-wire
Calibration	: None, fixed span
Process temp.	: F: -40° to 300° C: -40° to 148.9°
Electronic temp.	: F: -40° to 160° C: -40° to 71°
Pressure	: 300 psi max. 20.7 bar max.
Encl. material	: SS/ PP
Guide/float mat.	: 316 ss/PP
Approvals	: CE compliance, ROHS Complaint

WARNING

- # The power supply cable is an integrate part of the device. Should the cable be found to be damaged the device is to be replaced. Repairs to the cable itself are not possible.
- # The cable terminal must be never immersed into water.
- # The cable that is not used must be correctly insulated.
- # The electrical pump must be grounded to avoid any accidents.

WARRANTY STATEMENT

For any defects caused by mal-manufacture , the user can return the device to the manufacturer for repair or replacement within 12 months from factory delivery . This warranty does not apply to any defects caused by misuse and improper storage.

As a result of our policy of continual improvement, the information in this document is subject to change without any notice and it is intended only as general guidance on product performance and suitability. This information shall not form part of any contract.

our product should be installed by a qualified personnel only, therefore any use of this application is at the installer's own risk and should be accessed appropriately.

HEMKUNT ELECTRONICS

Contact Details : Website- www.hemkuntelectronics.com
 EMail- hemkuntalert@gmail.com
 Address- 4583/13 Jai Mata Market, Tri Nagar, Delhi- 110035
 Telephone numbers- 011-27394466 ,+91-9810822092, +91-8800445952