

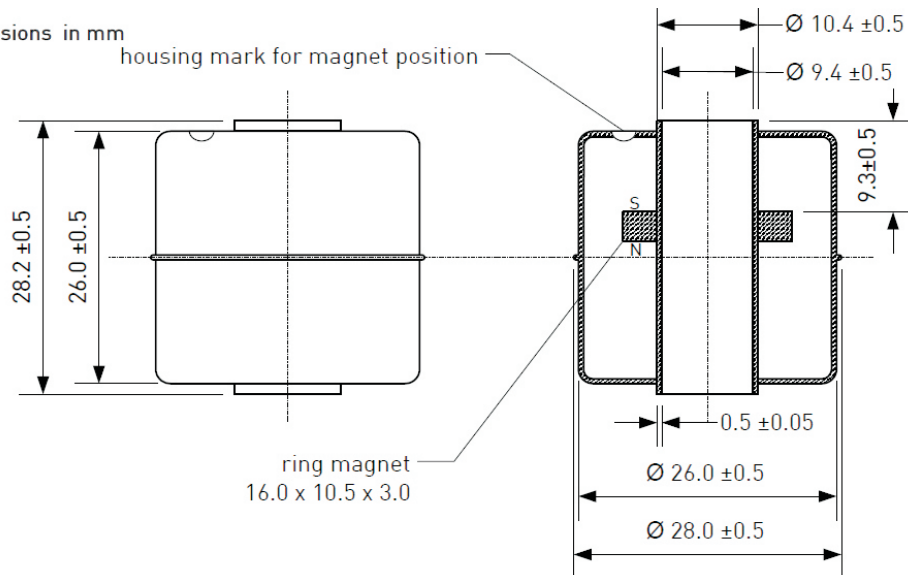


Data	
Float housing	Stainless Steel S316L, mechanically polished
Magnet	Ferrite
Magnetical Orientation	axially

Remanence Br	mT	225
Coercivity HcB	kA/m	151
Coercivity HcJ	kA/m	271
Energy density BHmax.	mT	0.105
Operating Temperature	°C	-10 to 180

Nominal values unless otherwise specified.

Dimensions in mm



Mechanical Characteristics

Density of float typ. *	g/cm ³	0.7
Recommended minimum gravity of medium	g/cm ³	Density of float + 20%
Pressure max.	MPa	1.0

* In delivery condition

Ordering Information

Packing Unit	500 pcs
Weight per piece	8.0 g ± 0.5g

As a result of our policy of continual improvement, the information in this document is subject to change without any notice and it is intended only as general guidance on product performance and suitability. This information shall not form part of any contract.

our product should be installed by a qualified personnel only, therefore any use of this application is at the installer's own risk and should be accessed appropriately.

HEM KUNT ELECTRONICS

Contact Details : Website- www.hemkuntelectronics.com
 EMail- hemkuntalert@gmail.com
 Address- 4583/13 Jai Mata Market, Tri Nagar, Delhi- 110035
 Telephone numbers- 011-27394466, +91-9810822092, +91-8800445952