



DESCRIPTION

Protection of induction motors against single phasing or reverse phasing or unbalance supply is one of the major problems in electrical systems. For safe running of 3-phase motors, special protections that keep a continuous watch on supply conditions are very essentials. The major cause of maximum motors burn-out is overloading which occurs due to unbalance supply or single phasing. Phase failure occurs in case of fuse blown-off, loose connections or loss of phase from supply itself. HEMKUNT electronics specializes in customizing designs to specific customer needs for a wide range of applications. Please feel free contact us to provide the optimal solution for your specific needs.

TECHNICAL DATA

APPLICATIONS

- # Electrical Panels.
- # Compressor motors.
- # Electrical Test benches.
- # Submersible pumps.
- # Genset panels.
- # Cold shortages.
- # Package unit and central air conditioning plants.

Supply Voltage

System : 100-120/220-240/380-440 V AC \pm 20% 50/ 60 Hz
 Auxillary : 100-120/220-240/380-440 V AC \pm 20%

Output Contacts

: 1 CO

Trip Setting(Volts)

Phase Sequence : Yes
 Phase Unbalance : 40 V \pm 6 V (fixed)

Trip Time Delay

On Phase Failure/ Unbalance : 3.5 sec. \pm 1.5 sec.
 For Level Sensing : NA

Resetting Mode

: Auto

Dimensions (mm)

Overall (L x W x D):76 x 30.5 x 117.5 : 70 x 60 x 112

Mounting

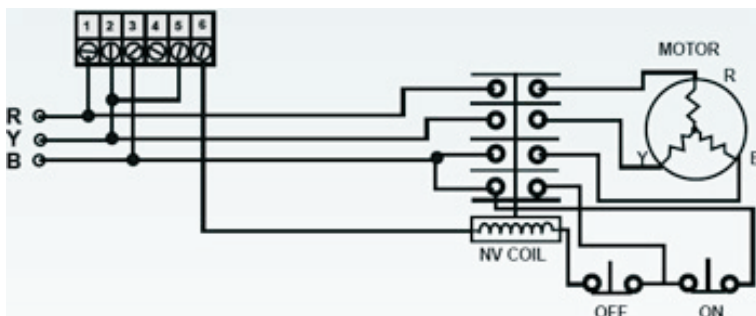
: Din rail Mounting

Note:

Wherever not specified Contact Rating : 5A @ 230 V AC (resistive)

* Available on request.

WIRING DIAGRAM



FEATURES

- # Phase Failure, Unbalance,
- # Phase Sequence,
- # Auto Reset, Fixed Unbalance Setting
- # 1 CO output Relay

As a result of our policy of continual improvement, the information in this document is subject to change without any notice and it is intended only as general guidance on product performance and suitability. This information shall not form part of any contract.

our product should be installed by a qualified personnel only, therefore any use of this application is at the installer's own risk and should be accessed appropriately.

HEMKUNT ELECTRONICS

Contact Details : Website- www.hemkuntelectronics.com
 EMail- hemkuntalert@gmail.com
 Address- 4583/13 Jai Mata Market, Tri Nagar, Delhi- 110035
 Telephone numbers- 011-27394466 ,+91-9810822092, +91-8800445952