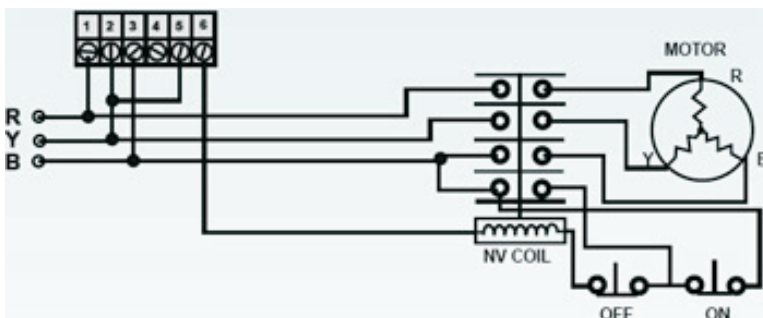


APPLICATIONS

- # Inverter
- # UPS
- # Rectifier Panel
- # Battery Charger Panel
- # 3 Phase AC Panel
- # DG Set Panel

WIRING DIAGRAM



DESCRIPTION

Protection of induction motors against single phasing or reverse phasing or unbalance supply is one of the major problems in electrical systems. For safe running of 3-phase motors, special protections that keep a continuous watch on supply conditions are very essentials. The major cause of maximum motors burn-out is overloading which occurs due to unbalance supply or single phasing. Phase failure occurs in case of fuse blown-off, loose connections or loss of phase from supply itself. HEMKUNT electronics specializes in customizing designs to specific customer needs for a wide range of applications. Please feel free contact us to provide the optimal solution for your specific needs.

TECHNICAL DATA

Supply Voltage	
System	: 100-120/220-240/380-440 V AC \pm 20% 50/ 60 Hz
Auxillary	: 100-120/220-240/380-440 V AC \pm 20%
Output Contacts	: 2 CO
Trip Setting(Volts)	
Phase Sequence	: Yes
Phase Unbalance	: 30 V to 70 V \pm 6V (adjustable)
Trip Time Delay	
On Phase Failure/ Unbalance	: 3.5 sec. \pm 1.5 sec.
For Level Sensing	: NA
Resetting Mode	: Auto / Manual / Remote
Dimensions (mm)	
Overall (L x W x D)	: 70 x 60 x 112
Mounting	: Din mm rail Mounting
Note:	
	Wherever not specified Contact Rating : 5A @ 230 V AC (resistive)
	* Available on request.

FEATURES

- # Phase Failure, Unbalance,
- # Phase Sequence,
- # Auto / Manual / Remote Reset
- # Adjustable Unbalance Setting,
- # 2 CO output Relay

As a result of our policy of continual improvement, the information in this document is subject to change without any notice and it is intended only as general guidance on product performance and suitability. This information shall not form part of any contract.

our product should be installed by a qualified personnel only, therefore any use of this application is at the installer's own risk and should be accessed appropriately.

HEMKUNT ELECTRONICS

Contact Details : Website- www.hemkuntelectronics.com
 EMail- hemkuntalert@gmail.com
 Address- 4583/13 Jai Mata Market, Tri Nagar, Delhi- 110035
 Telephone numbers- 011-27394466 ,+91-9810822092, +91-8800445952