

AUTOSAPIAN™

a product by HEMKUNT ELECTRONICS

process indicator



Applications such as

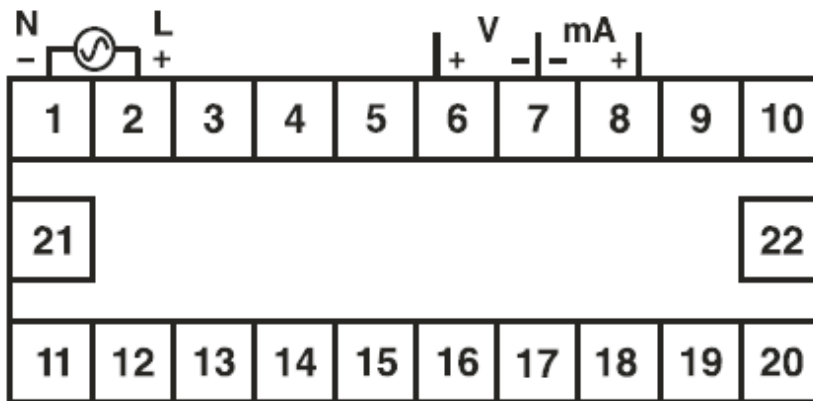
- Automation Industry
- Chemical Industry
- Cement Industry
- Flow Metering System
- Special Purpose Machine
- Power Plants
- Food Processing Industry
- Textile Processing House
- Petrochemical Industry
- Paper Industry



MODEL	PIC-1101	PIC - 3102(H)
Dimension (HxWxD) mm	96 X 96 X 100	48 X 96 X 120
Panel Cutout (mm)	92 X 92	44 X 92
Display	Single display : 7 segment, 4 digit, 0.56", RED LED display.	
INPUT	0~10 V DC / 0-20mA / 4~20 mA (Factory Set) 0 - 9999 (Configurable)	
OUTPUT	1 - (Relay / SSR / Buzzer) 1 C/O, 5A, 230V AC 12V DC approximately 4 - 20 mA / 0 - 10V DC (Factory Set) 24 V DC	
SPECIFICATION	1 or 2 - Set point (Factory Set) ON-OFF	
Resolution	0.000 / 00.00 / 000.0 / 0000 (Configurable)	
Accuracy	±1% of FSD	
Power Supply	230 V AC, ±10 %, 50 Hz (Linear Power Supply)	
Indication	"OuEr" - If Input Signal is more than Maximum Input "LOW" - If Input Signal is less than Minimum Input "0000" - If there is No Input Signal	
Enclosure Material	Metal	
Operating Ambient Temp	0°C - 55°C	
Relative Humidity	Upto 95% RH Non Condensing	

HEM KUNT ELECTRONICS

Contact Details : Website- www.hemkuntelectronics.com
 EMail- hemkuntalert@gmail.com
 Address- 4583/13 Jai Mata Market, Tri Nagar, Delhi- 110035
 Telephone numbers- 011-27394466 ,+91-9810822092, +91-8800445952



HEM KUNT ELECTRONICS

Contact Details : Website- www.hemkuntelectronics.com
 EMail- hemkuntalert@gmail.com
 Address- 4583/13 Jai Mata Market, Tri Nagar, Delhi- 110035
 Telephone numbers- 011-27394466 ,+91-9810822092, +91-8800445952

8 Channel Scanner

Up to 8 individual outputs



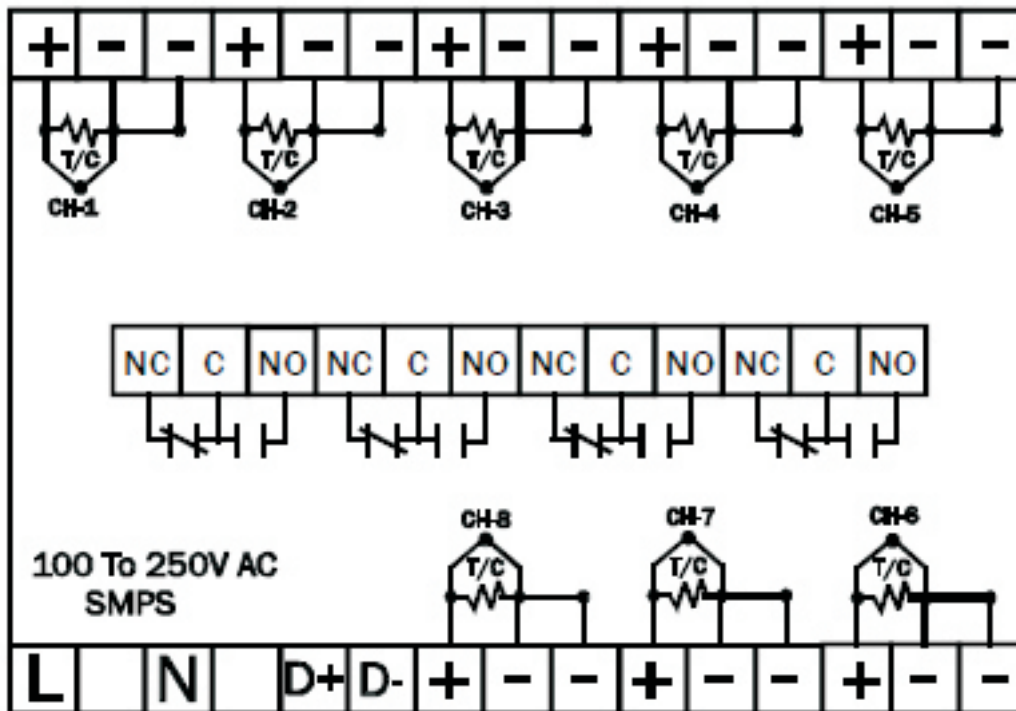
MODEL		HS-5708	HS-1208N
Dimension (HxWxD) mm Panel Cutout (mm)		192 X 96 X 140 188X92	96 X 96 X 50 92X92
Display		7 segment, 4 digit, 0.56" LED display- Process Value. 7 segment, 2 digit, 0.56" LED display-Channel Number. 7 segment, 1 digit, 0.56" LED display- Process Status.	7 segment, 4 digit, 0.56" LED display- Process Value. 7 segment, 3 digit, 0.56" LED display- Channel Number.
INPUT		J / K / PT-100 2W / 3W / 0-10V DC / 4-20mA AC (Factory set) 4~20mA & 0-10VDC - (0 to 9999), Thermocouple (J 600°C, K 1200°C), RTD PT-100 2W / 3W (-99°C to 400°C)	J / K / PT-100-2W / 3W (Configurable) Thermocouple (J 600°C, K 1200°C), RTD PT-100 2W / 3W (-99°C to 400°C)
OUTPUT(optional)		6 or 8 - (Relay / SSR / Buzzer) Relay : 1 C/O, 5A, 230V AC (for 6 channel input), SSR & Buzzer: 12V DC RS- 232 interface communication	Only Indicator RS- 485 ModBus communication
SPECIFICATION		2 to 99 sec. (Configurable) Process signal scanning & controlling process Maximum 4 groups of channels can be set	2 to 99 sec. (Configurable) Process signal scanning & indication Offset Factor 0 to 25°C (for each channel)
Programmable parameter		VFY : For verifying program AUTO / MANUAL : For scanning into auto or manual mode SCAN TIME : Time for scanning input channel INC / DEC : For increasing or decreasing the value of the parameter SKIP : For skipping / unskipping the channel RUN : For running the program AL-1, AL-2 : For setting low alarm & high alarm for each channel ----- RUN Mode / AUTO-MAN Mode / VFY Mode / PROGRAM Mode	
Resolution Accuracy Power Supply Indication		4-20 mA, 0-10V DC, RTD 1/0.1 (Factory set) ±1% of FSD 90-270V AC/DC, 50/60 Hz, SMPS 16 LED for Relay Status Indication (for HIGH / LOW Alarm)	PT-100 2W/3W - DP Selectable ±1% of FSD 90-270V AC/DC, 50/60 Hz, SMPS 8 LED Indicates no. of channel
Enclosure Material Operating Ambient Temp Relative Humidity		Metal 0°C - 55°C Upto 95% RH Non Condensing	Plastic 0°C - 55°C Upto 95% RH Non Condensing

HEM KUNT ELECTRONICS

Contact Details : Website- www.hemkuntelectronics.com
 EMail- hemkuntalert@gmail.com
 Address- 4583/13 Jai Mata Market, Tri Nagar, Delhi- 110035
 Telephone numbers- 011-27394466 ,+91-9810822092, +91-8800445952

8 Channel Scanner

Up to 8 individual outputs



HEM KUNT ELECTRONICS

Contact Details : Website- www.hemkuntelectronics.com
 EMail- hemkuntalert@gmail.com
 Address- 4583/13 Jai Mata Market, Tri Nagar, Delhi- 110035
 Telephone numbers- 011-27394466 ,+91-9810822092, +91-8800445952

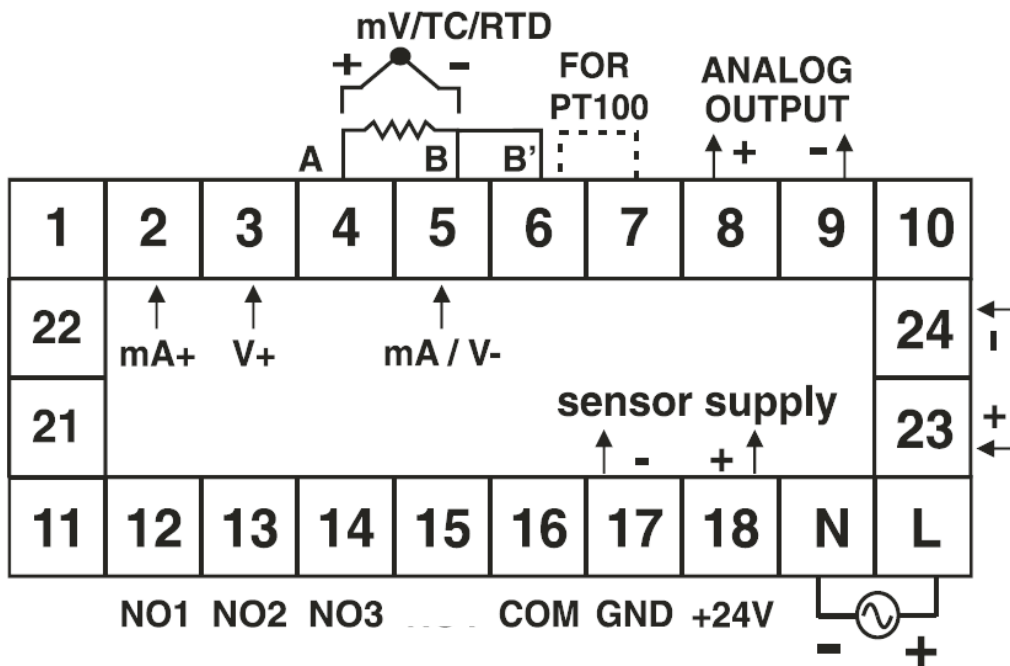


MODEL	FA 11
Dimension (HxWxD) mm	96 X 96 X 50
Panel Cutout (mm)	92X92
Display	16 Character by 2 line with GREEN Light LCD display
INPUT	
Input Signal	10 Input Potential Free Contact
OUTPUT	
Control output	3-Relay
Relay Ratings	2 (NO-C) Contact for Audio and Visual Alarm, 1 C/O for Machine Trip
SPECIFICATION	
Power Supply	90 - 270V AC / DC, 50 / 60 Hz, SMPS
Indication	1) Audio alarm 2) Visual alarm 3) Machine output
Enclosure Material	Plastic
Operating Ambient Temp	0°C - 55°C
Relative Humidity	Upto 95% RH Non Condensing

As a result of our policy of continual improvement, the information in this document is subject to change without any notice and it is intended only as general guidance on product performance and suitability. This information shall not form part of any contract. our product should be installed by a qualified personnel only, therefore any use of this application is at the installer's own risk and should be accessed appropriately.

HEM KUNT ELECTRONICS

Contact Details : Website- www.hemkuntelectronics.com
 EMail- hemkuntalert@gmail.com
 Address- 4583/13 Jai Mata Market, Tri Nagar, Delhi- 110035
 Telephone numbers- 011-27394466 ,+91-9810822092, +91-8800445952



As a result of our policy of continual improvement, the information in this document is subject to change without any notice and it is intended only as general guidance on product performance and suitability. This information shall not form part of any contract. our product should be installed by a qualified personnel only, therefore any use of this application is at the installer's own risk and should be accessed appropriately.

HEM KUNT ELECTRONICS

Contact Details : Website- www.hemkuntelectronics.com
 EMail- hemkuntalert@gmail.com
 Address- 4583/13 Jai Mata Market, Tri Nagar, Delhi- 110035
 Telephone numbers- 011-27394466, +91-9810822092, +91-8800445952