

temperature controller



Various types ranging from Economy type to advanced ones with Modbus communication, applications are wide like

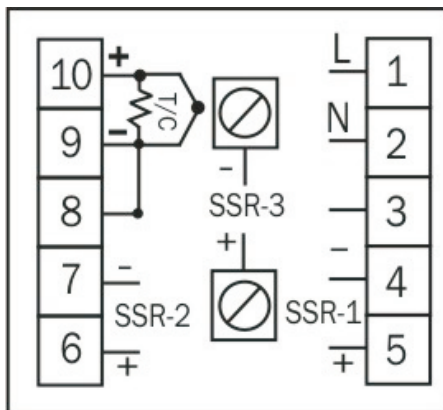
- Plastic Processing Machinery
- Packaging Machinery
- Furnace & Boilers
- Laboratory Testing Machinery
- Ovens & Incubators
- Food Industry
- Extrusion Machinery: Plastic/Rubber



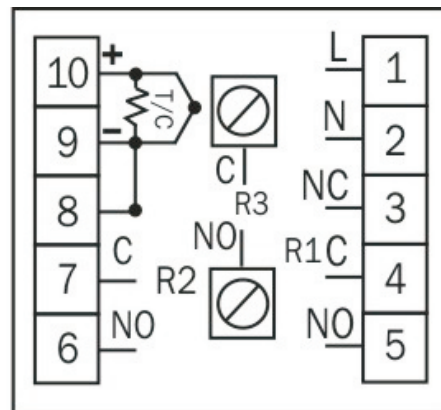
MODEL	HETC-1201	HETC-2201	HETC-4201	HETC-4201
Dimension (HxWxD) mm Panel Cutout (mm)	MTC-1201 96 X 96 X 50 92 X 92	MTC-2201 72 X 72 X 85 68 X 68	MIC-3200 96 X 48 X 120 92 X 44	MIC-4201 48 X 48 X 95 44 X 44
INPUT	Upper : 7 segment, 4 digit, 0.56", Red LED display. Lower : 7 segment, 4 digit, 0.4" GREEN LED display.		Upper : 7 segment, 4 digit, 0.4" RED LED display. Lower : 7 segment, 4 digit, 0.3" GREEN LED display.	
Sensor Range	J / K / R / PT-100 2W/3W (Factory Set) J (0°C TO 400°C) or K (0°C TO 1200°C) or R (0°C TO 1600°C) or PT-100 2W / 3W (0°C TO 400°C or 0.0°C TO 199.9°C or -50.0°C to 199.9 °C) - (Factory Set)		J / K / PT-100 2W/3W (Factory Set) J (0°C TO 400°C) or K (0°C TO 1200°C) or PT-100 2W / 3W (0°C TO 400°C or 0.0°C TO 199.9°C or -50.0°C to 199.9 °C) - (Factory Set)	
OUTPUT	Relay Ratings SSR / Buzzer 12V DC approximately			
SPECIFICATION	1 - Set Point Time Proportional (TP) / ON-OFF (Configurable) HEAT MODE / COOL MODE (Factory Set)			
Resolution Accuracy Power Supply	1°C Fix (0.1°C Factory Set) ±1% of FSD 90 - 270V AC/DC, 50/60 Hz, SMPS		1°C Fix (0.1°C Factory Set) ±1% of FSD 230V AC ±10 %, 50Hz 90 - 270V AC/DC, 50/60 Hz, SMPS	
Protection Indication	Relay Turns OFF in case of Sensor Break LED for Relay Status Indication & Sensor Break			
Enclosure Material Operating Ambient Temp Relative Humidity	Plastic/Metal Plastic 0°C - 55°C Upto 95% RH Non Condensing			
NOTE:	** 2,3,4 Set points are available in Model MTC-1202, MTC-1203, MTC-1204 respectively *2,3 Set points are available in Model MTC-2202, MTC-2203 respectively MTC-1101, MTC-2101 Single display: 7Segment, 4 digit, 0.56", RED LED display.			

HEM KUNT ELECTRONICS

Contact Details : Website- www.hemkuntelectronics.com
 EMail- hemkuntalert@gmail.com
 Address- 4583/13 Jai Mata Market, Tri Nagar, Delhi- 110035
 Telephone numbers- 011-27394466, +91-9810822092, +91-8800445952



UTC 4203 with ssr output



UTC 4203 with relay output

HEM KUNT ELECTRONICS

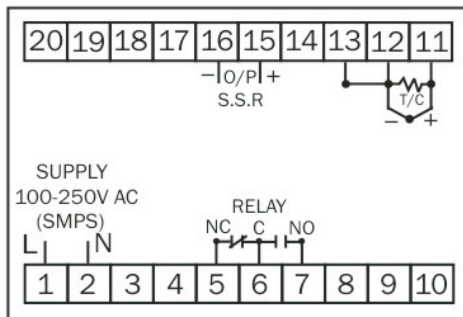
Contact Details : Website- www.hemkuntelectronics.com
 EMail- hemkuntalert@gmail.com
 Address- 4583/13 Jai Mata Market, Tri Nagar, Delhi- 110035
 Telephone numbers- 011-27394466 ,+91-9810822092, +91-8800445952



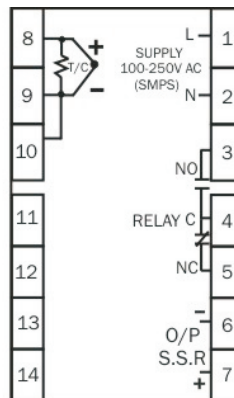
MODEL	UTC-121	UTC-221	UTC-421
Dimension (HxWxD) mm Panel Cutout (mm)	96 X 96 X 50 92 X 92	72 X 72 X 85 68 X 68	48 X 48 X 95 44 X 44
Display	Upper : 7 segment, 4 digit, 0.56"; RED LED display - Process value Lower : 7 segment, 4 digit, 0.4" GREEN LED display - Set value		Upper : 7 segment, 4 digit, 0.39", RED LED display - Process value Lower : 7 segment, 4 digit, 0.28" GREEN LED display - Set value
INPUT	Sensor Range J / K / PT-100 2W / 3W (Configurable) J(0°C to 600°C), K(0°C to 1200°C), PT-100 2W/3W (-99°C to 400°C, -99.9°C to 400.0°C)		
OUTPUT	Relay Ratings SSR / Buzzer 1 - Relay & SSR, Both Parallel 1 C/O, 5A, 230V AC 12V DC approximately		
SPECIFICATION	Set point Control Action Operating Mode 1 - Set Point Time Proportional (TP) / ON-OFF (Configurable) HEAT / COOL Mode (Configurable)		
Resolution Accuracy Power Supply Protection Indication	J & K 1°C Fix, PT-100 2W/3W 1°C/0.1°C ±1% of FSD 90 - 270V AC/DC, 50/60 Hz, SMPS Relay turns OFF in case of sensor break "OPEN" message is display if sensor is disconnected & LED for Relay Status Indication		
Enclosure Material Operating Ambient Temp Relative Humidity	Plastic 0°C - 55°C Upto 95% RH Non Condensing		

HEM KUNT ELECTRONICS

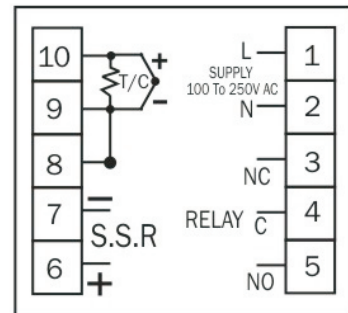
Contact Details : Website- www.hemkuntelectronics.com
 EMail- hemkuntalert@gmail.com
 Address- 4583/13 Jai Mata Market, Tri Nagar, Delhi- 110035
 Telephone numbers- 011-27394466, +91-9810822092, +91-8800445952



UTC 121



UTC 221



UTC 421

HEM KUNT ELECTRONICS

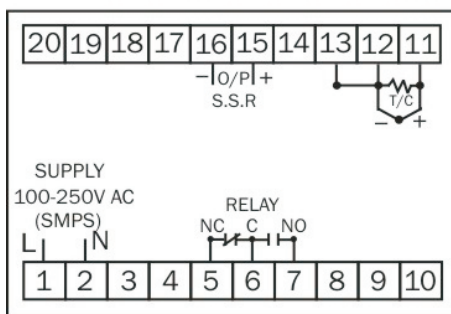
Contact Details : Website- www.hemkuntelectronics.com
 EMail- hemkuntalert@gmail.com
 Address- 4583/13 Jai Mata Market, Tri Nagar, Delhi- 110035
 Telephone numbers- 011-27394466, +91-9810822092, +91-8800445952



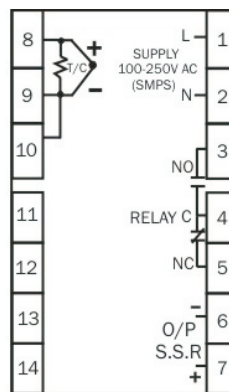
MODEL	UTC-121P	UTC-221P	UTC-421P	TC-44
Dimension (HxWxD) mm	96 X 96 X 50	72 X 72 X 85	48 X 48 X 95	48 X 48 X 70
Panel Cutout (mm)	92 X 92	68 X 68	44 X 44	44 X 44
Display	Upper : 7 segment, 4 digit, 0.56" RED LED display - Process value Lower : 7 segment, 4 digit, 0.4" GREEN LED display- Set value		Upper : 7 segment, 4 digit, 0.39" RED LED display - Process value Lower : 7 segment, 4 digit, 0.28" GREEN LED display- Set value	
INPUT	Sensor Range J / K / PT-100 2W/3W (Configurable) J(0°C to 600°C), K(0°C to 1200°C), PT-100 2W/3W (-99°C to 400°C, -99.9°C to 400.0°C)			J / K Model PT-100 Model
OUTPUT	Control Output Relay Ratings SSR / Buzzer 1 - Relay & SSR Both Parallel 1C/O, 5A, 230V AC 12V DC approximately			
SPECIFICATION	Set Point Control Action Operating Mode 1 - Set Point PID / ON-OFF (Configurable) HEAT / COOL Mode (Configurable)			PID / ON-OFF / TP (Configurable) HEAT Mode
Resolution	J & K 1°C Fix, PT-100 2W/3W 1°C/0.1°C			
Accuracy	±1% of FSD			
Power Supply	90 - 270V AC/DC, 50/60 Hz, SMPS			
Protection	Relay turns OFF in case of sensor break			
Indication	"DPEN" message is displayed if sensor is disconnected & LED for Relay Status Indication			
Enclosure Material	Plastic			
Operating Ambient Temp	0°C - 55°C			
Relative Humidity	Upto 95% RH Non Condensing			

HEM KUNT ELECTRONICS

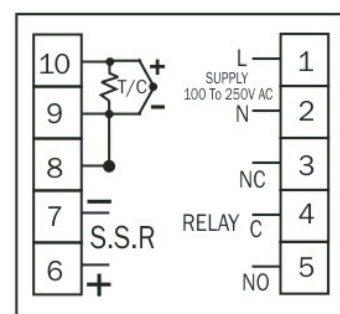
Contact Details : Website- www.hemkuntelectronics.com
 EMail- hemkuntalert@gmail.com
 Address- 4583/13 Jai Mata Market, Tri Nagar, Delhi- 110035
 Telephone numbers- 011-27394466, +91-9810822092, +91-8800445952



UTC 121P



UTC 221P



UTC 421P

HEM KUNT ELECTRONICS

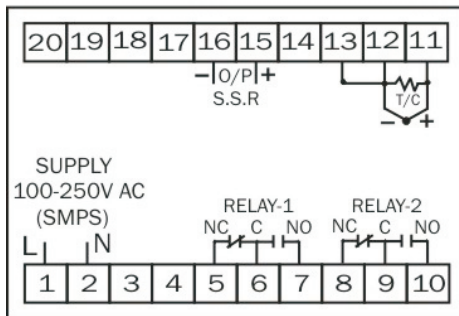
Contact Details : Website- www.hemkuntelectronics.com
 EMail- hemkuntalert@gmail.com
 Address- 4583/13 Jai Mata Market, Tri Nagar, Delhi- 110035
 Telephone numbers- 011-27394466, +91-9810822092, +91-8800445952



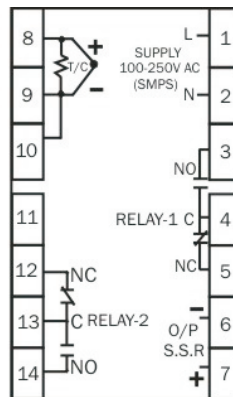
MODEL	UTC-1202*	UTC-2202	UTC-4202
Dimension (HxWxD) mm	96 X 96 X 50	72 X 72 X 85	48 X 48 X 95
Panel Cutout (mm)	92 X 92	68 X 68	44 X 44
Display	Upper : 7 segment, 4 digit, 0.56" RED LED display - Process value Lower : 7 segment, 4 digit, 0.4" GREEN LED display - Set value		Upper : 7 segment, 4 digit, 0.39" RED LED display - Process value Lower : 7 segment, 4 digit, 0.28" GREEN LED display -Set value
INPUT	Sensor Range J, K, PT-100 2W/3W (Configurable) J(0 to 600°C), K(0 to 1200°C), PT-100 2W/3W (0°C to 400°C, -99.9 to 400.0°C)		
OUTPUT	Control Output 1 Control Output 2 Relay Ratings SSR / Buzzer		
SPECIFICATION	1 - Relay & SSR Both Parallel 1 - Relay For Alarm or Cooling 1 C / O, 5A, 230V AC 12V DC approximately		
Set point Control Action Operating Mode	2 - Set Point PID with Auto Tunning / TP/ ON-OFF Set 1 1) Heating 2) Cooling 3) High Alaram 4) Low Alaram 5) Inband 6) Outband Set 2 1) Heating 2) Cooling 3) High Alaram 4) Low Alaram 5) Inband 6) Outband 7) End Alaram		
Resolution Accuracy Power Supply Protection Indication	J & K 1°C Fix, PT-100 2W / 3W 1°C/0.1°C ±1% of FSD 90-270V AC / DC, 50 / 60 Hz, SMPS Relay turns OFF in case of sensor break "DPE _n " message is displayed if sensor is disconnected		
Enclosure Material Operating Ambient Temp Relative Humidity	Plastic 0°C - 55°C Upto 95% RH Non Condensing		
NOTE:	*RS-485 ModBus connection available in UTC-1202		

HEM KUNT ELECTRONICS

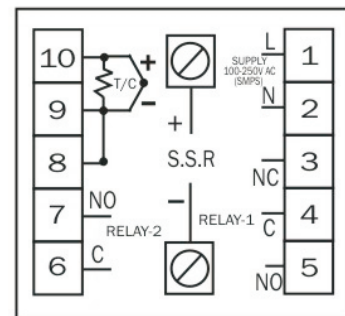
Contact Details : Website- www.hemkuntelectronics.com
 EMail- hemkuntalert@gmail.com
 Address- 4583/13 Jai Mata Market, Tri Nagar, Delhi- 110035
 Telephone numbers- 011-27394466 ,+91-9810822092, +91-8800445952



UTC 1202



UTC 2202



UTC 4202

HEM KUNT ELECTRONICS

Contact Details : Website- www.hemkuntelectronics.com
 EMail- hemkuntalert@gmail.com
 Address- 4583/13 Jai Mata Market, Tri Nagar, Delhi- 110035
 Telephone numbers- 011-27394466, +91-9810822092, +91-8800445952

(TEMPERATURE Series)

- Humidity+Temp. Controller
- Temp. Controller with Soak Timer
- 9 Stage Profile Controller



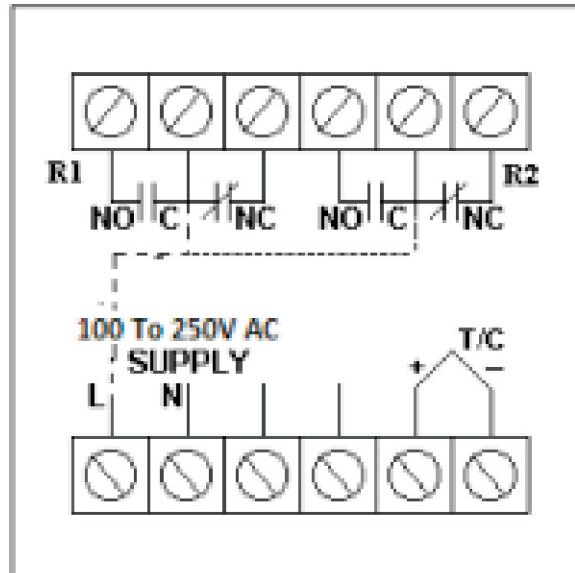
MODEL	HETC-1202 (Soak Timer)	HETC-1202 (9 Stage Profile)	HETC-1202 (Humidity & Temp Controller)
Dimension (HxWxD) mm Panel Cutout (mm)	96 X 96 X 50 92 X 92	96 X 96 X 50 92 X 92	96 X 96 X 100 92 X 92
Display	Upper : 7 segment, 4 digit, 0.56" RED LED display - Process value Lower : 7 segment, 4 digit, 0.4" GREEN LED display - Set value		Upper : 7 segment, 4 digit, 0.56" RED LED display - Process value Lower : 7 segment, 4 digit, 0.4" GREEN LED display - Humidity Sensor
INPUT	J / K / PT-100 2W/3W (Factory set)		Sensor 1: 'PT-100/3W' Type RTD. Sensor 2: Humidity Sensor
Sensor	J(0 to 600°C), K(0 to 1200°C), PT-100 2W/3W (- 99°C to 400°C) (0.0°C to 400.0°C)		PT-100/3W(- 99°C to 400°C), Humidity Sensor(5% to 95%)RH
Range	J(0 to 600°C), K(0 to 1200°C), PT-100 2W/3W (- 99°C to 400°C) (0.0°C to 400.0°C)		PT-100/3W(- 99°C to 400°C), Humidity Sensor(5% to 95%)RH
OUTPUT	2 - Relay As per Requirement 1C/O, 5A, 230V AC		As Per Requirement
Relay Ratings	2 - Relay As per Requirement 1C/O, 5A, 230V AC		As Per Requirement
SPECIFICATION	1 - Set Point TIME PROPORTIONAL (TP) / ON-OFF (Configurable) Heat Mode		As Per Requirement ON-OFF Heat Mode
Set point	1 - Set Point		As Per Requirement
Control Action	TIME PROPORTIONAL (TP) / ON-OFF (Configurable)		ON-OFF
Operating Mode	Heat Mode		Heat Mode
Resolution	J & K 1°C FIX, PT-100 2W/3W 1°C		PT-100 /3W 1°C / 0.1°C
Accuracy	±1% of FSD		±1% of FSD
Power Supply	90-270V AC/DC, 50/60 Hz, SMPS		230V AC ±10%, 50 Hz
Protection	Relay turns OFF in case of sensor break		
Indication	"OPEn" message is displayed if sensor is disconnected & LED for Relay Status Indication		
Enclosure Material	Plastic		
Operating Ambient Temp	0°C - 55°C		
Relative Humidity	Upto 95% RH Non Condensing		

HEM KUNT ELECTRONICS

Contact Details : Website- www.hemkuntelectronics.com
 EMail- hemkuntalert@gmail.com
 Address- 4583/13 Jai Mata Market, Tri Nagar, Delhi- 110035
 Telephone numbers- 011-27394466 ,+91-9810822092, +91-8800445952

(TEMPERATURE Series)

- Humidity+Temp. Controller
- Temp. Controller with Soak Timer
- 9 Stage Profile Controller



HEM KUNT ELECTRONICS

Contact Details : Website- www.hemkuntelectronics.com
 EMail- hemkuntalert@gmail.com
 Address- 4583/13 Jai Mata Market, Tri Nagar, Delhi- 110035
 Telephone numbers- 011-27394466 ,+91-9810822092, +91-8800445952

Fixed Input & Action,
With Knob Setting

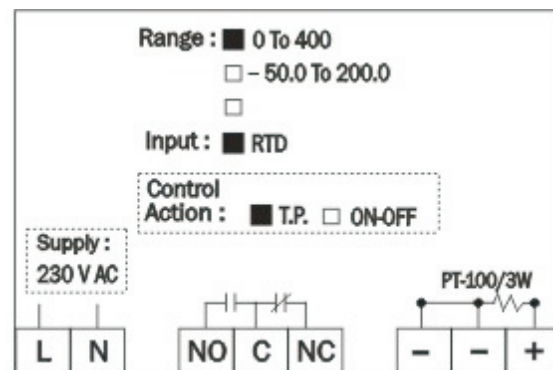
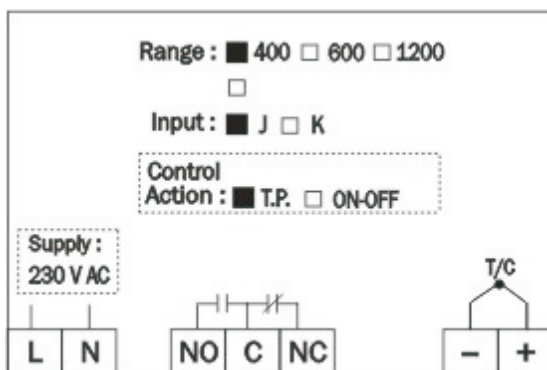


MODEL	HEDC-11	HECO-15	HECO-25	HECO-45
Dimension (HxWxD) mm	96 X 96 X 55	96 X 96 X 55	72 X 72 X 75	48 X 48 X 95
Panel Cutout (mm)	92 X 92	92 X 92	68 X 68	44 X 44
Display	Single Display: 7 segment, 4-Digit, 0.56" RED LED		Blind Controller	
INPUT	Sensor Range: J (0°C TO 400°C)			
OUTPUT	Relay Ratings: 1 C/O, 5A, 230V AC SSR/BUZZER: 12 V DC approx			
SPECIFICATION	Setting: by knob Set point: 1 - Set Point Control Action: Time Proportional (TP) / ON-OFF (Factory set) Operating Mode: HEAT Mode			
Resolution	1°C Fix		LED to Indicate Relay Status & Sensor Break	
Accuracy	±1% of FSD			
Power Supply	230V AC ±10%, 50 HZ			
Indication	"OPEN" message display for sensor break & LED for relay status Indication			
Enclosure Material	Plastic			
Operating Ambient Temp	0°C - 55°C			
Relative Humidity	Upto 95% RH Non Condensing			

HEM KUNT ELECTRONICS

Contact Details : Website- www.hemkuntelectronics.com
 EMail- hemkuntalert@gmail.com
 Address- 4583/13 Jai Mata Market, Tri Nagar, Delhi- 110035
 Telephone numbers- 011-27394466, +91-9810822092, +91-8800445952

Fixed Input & Action,
With Knob Setting



HEM KUNT ELECTRONICS

Contact Details : Website- www.hemkuntelectronics.com
 EMail- hemkuntalert@gmail.com
 Address- 4583/13 Jai Mata Market, Tri Nagar, Delhi- 110035
 Telephone numbers- 011-27394466, +91-9810822092, +91-8800445952

**Fixed Input & Action,
With Keypad**



MODEL	TC-19AL	TC-192AL	TC-192	TC-292
Dimension (HxWxD) mm Panel Cutout (mm)	96 X 96 X 50 92 X 92	96 X 96 X 50 92 X 92	96 X 96 X 50 92 X 92	72 X 72 X 85 44 X 44
Display	Single Display: 7 segment, 4-Digit, 0.56"; RED LED			
INPUT Sensor Range	J / K / PT-100 2W/3W (Factory Set) J(0°C to 400°C & 0°C to 600°C), K(0°C to 1200°C), PT-100 2W/3W(0°C to 400°C, - 50.0°C to 200.0°C)			
OUTPUT Relay Ratings SSR/BUZZER	1C/O, 5A, 230V AC 24 V DC APPORX			
SPECIFICATION Set point Control Action Operating Mode	1 - Set Point Time Proportional / ON-OFF (Factory Set) HEAT + ADVANCE ALARM HEAT + COOL +ADVANCE ALARM HEAT + COOL			
Resolution Accuracy Power Supply Protection Indication	"J & K - 1°C Fix, PT 100 2W/3W - 0.1°C/1°C " ±1% of FSD 230V AC, ±10%, 50Hz Relay turns OFF in case of sensor break "OPEN" message display for sensor break & LED for relay status Indication			
Enclosure Material Operating Ambient Temp Relative Humidity	Plastic 0°C - 55°C Upto 95% RH Non Condensing			

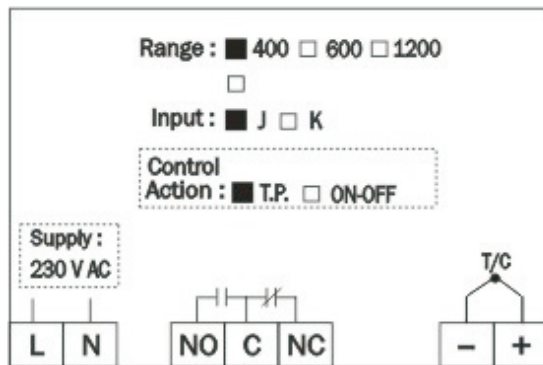
As a result of our policy of continual improvement, the information in this document is subject to change without any notice and it is intended only as general guidance on product performance and suitability. This information shall not form part of any contract.

our product should be installed by a qualified personnel only, therefore any use of this application is at the installer's own risk and should be accessed appropriately.

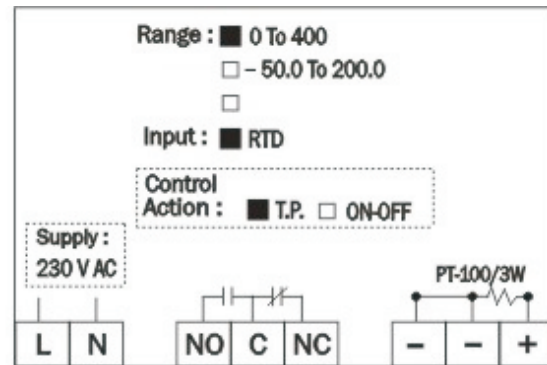
HEM KUNT ELECTRONICS

Contact Details : Website- www.hemkuntelectronics.com
 EMail- hemkuntalert@gmail.com
 Address- 4583/13 Jai Mata Market, Tri Nagar, Delhi- 110035
 Telephone numbers- 011-27394466 ,+91-9810822092, +91-8800445952

Fixed Input & Action,
With Keypad



TC-19 J, K



TC-19 PT-100/3W

As a result of our policy of continual improvement, the information in this document is subject to change without any notice and it is intended only as general guidance on product performance and suitability. This information shall not form part of any contract.
 our product should be installed by a qualified personnel only, therefore any use of this application is at the installer's own risk and should be accessed appropriately.

HEM KUNT ELECTRONICS

Contact Details : Website- www.hemkuntelectronics.com
 EMail- hemkuntalert@gmail.com
 Address- 4583/13 Jai Mata Market, Tri Nagar, Delhi- 110035
 Telephone numbers- 011-27394466 ,+91-9810822092, +91-8800445952